

# IEICOS



## PC Based Test Systems, Automated Test Equipment Custom Built Test Rigs

### Shake Tables Earthquake Simulation Equipment



### Renewable & Alternative Energy Systems



### Helmet Testing Equipment



### Torsion Test Rig



### Leak Detection and Testing Equipment



### Valve Test Rig



### Pressure Generation and Testing Assembly



### Mask Testing Equipment



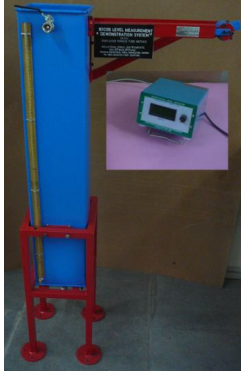
### Wear and Friction (pin-on-disc) Tester



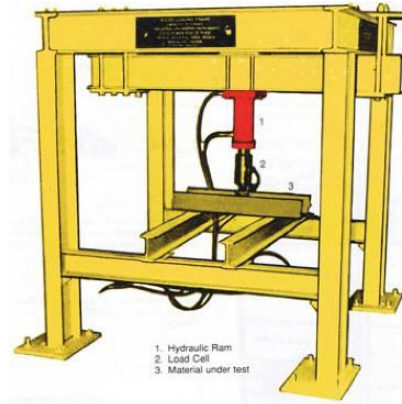
### De-hydration Characteristics Setup



## Displacer Torque Tube – Level Measurement and Calibration system



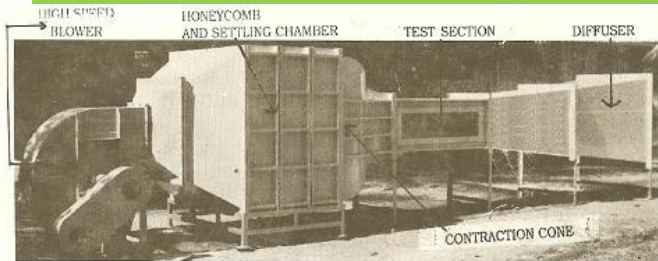
## Structural Engg Research and Studies Loading Frame



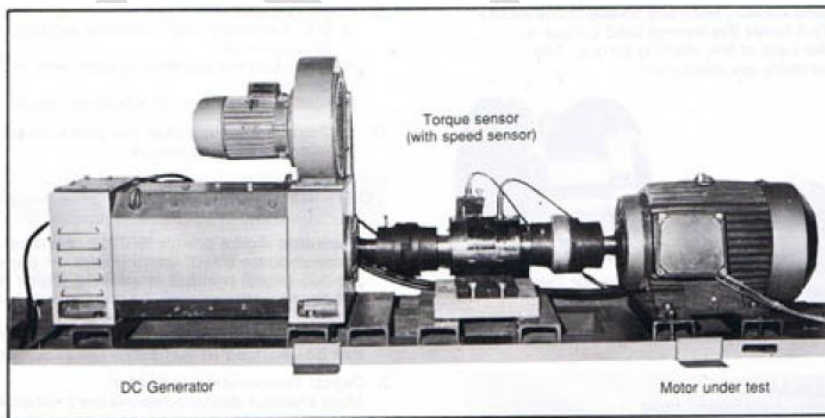
## Air Compressor Test Rig



## Aerodynamics Research and Studies Wind Tunnel, Custom Aerofoil, Smoke Generator, Strain Gauge Balance



## Motor/ Engine Test Bench



# INDUSTRIAL ENGINEERING INSTRUMENTS

203, 12<sup>th</sup> Main Road, 3<sup>rd</sup> Phase, Peenya Industrial Area, Peenya,  
Bangalore – 560 058. Karnataka, India.

Phone: (91)-80-28394520/28371386 Fax: (91)-80-28371386