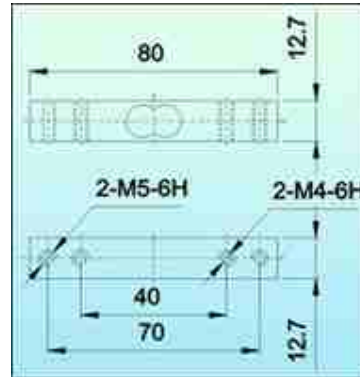
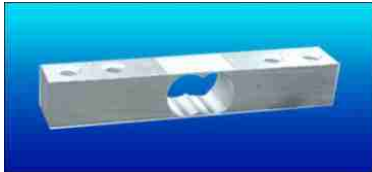




SINGLE POINT MINIATURE LOAD CELL

611

611 Miniature Load Cell is an economical Load Cell meant for off-centre loading applications. It is used in bench, counting and postal Scales. It is strain gauge based Cell constructed from Aluminum Alloy for better sensitivity.



Dimensions: 80x12.7x12.7(mm)

Wiring Scheme

Red + (Input +) White - (Output -) Black - (Input -) Green + (Output +)

Performance Specification

Standard Capacities	3, 6, 10, 15, 20, 30, 40, 60 - Kgf
Excitation Voltage	10 VDC - Maximum 15 VDC
Nominal Output	2.0 mV/ V
Non - Linearity	< ±0.025% FSO
Hysteresis	< ±0.02% FSO
Non-Repeatability	< ±0.01% FSO
Creep (30 minutes)	< ±0.03% FSO
Zero Balance	±1.0% FSO
Input Resistance	400 ± 15 Ohms
Output Resistance	350 ± 5 Ohms
Insulation Resistance (50 VDC)	> 1000 Mega Ohms
Cable Length (4 Core Screened)	500 mm. Minimum
Safe Overload of Rated Capacity	150%
Ultimate Overload of Rated Capacity	200%
Temp. Compensated Range	0-60 °C
Temperature Effect on Output	< 0.0015% FSO/ 0C
Temperature Effect on Zero	< 0.0020% FSO/ 0C
Platform Size	300 mm X 300 mm
Eccentric Load Effect	< 0.02% of FSO at 1/3 rated load placed within the specified sized platter
Deflection	< 0.5 mm at FSO
Tightening Torque	1.5 m.kg.
Finish & Construction	Aluminium Alloy
Environmental Protection Class	IP65

INDUSTRIAL ENGINEERING INSTRUMENTS

Manufacturers of Techno Electronic Aids Devices, Instruments and Systems,

203, 12th Main Road, 3rd Phase, Peenya Industrial Area,

Peenya, Bangalore-560058. Karnataka, India.

Phone : 91-80-28394520 Fax : 91-80-28371386

Email: info@ieicos.com Web Site: www.ieicos.com

Due to continuous improvement, specifications, dimensions, look, color, feel and features subject to change without notice.